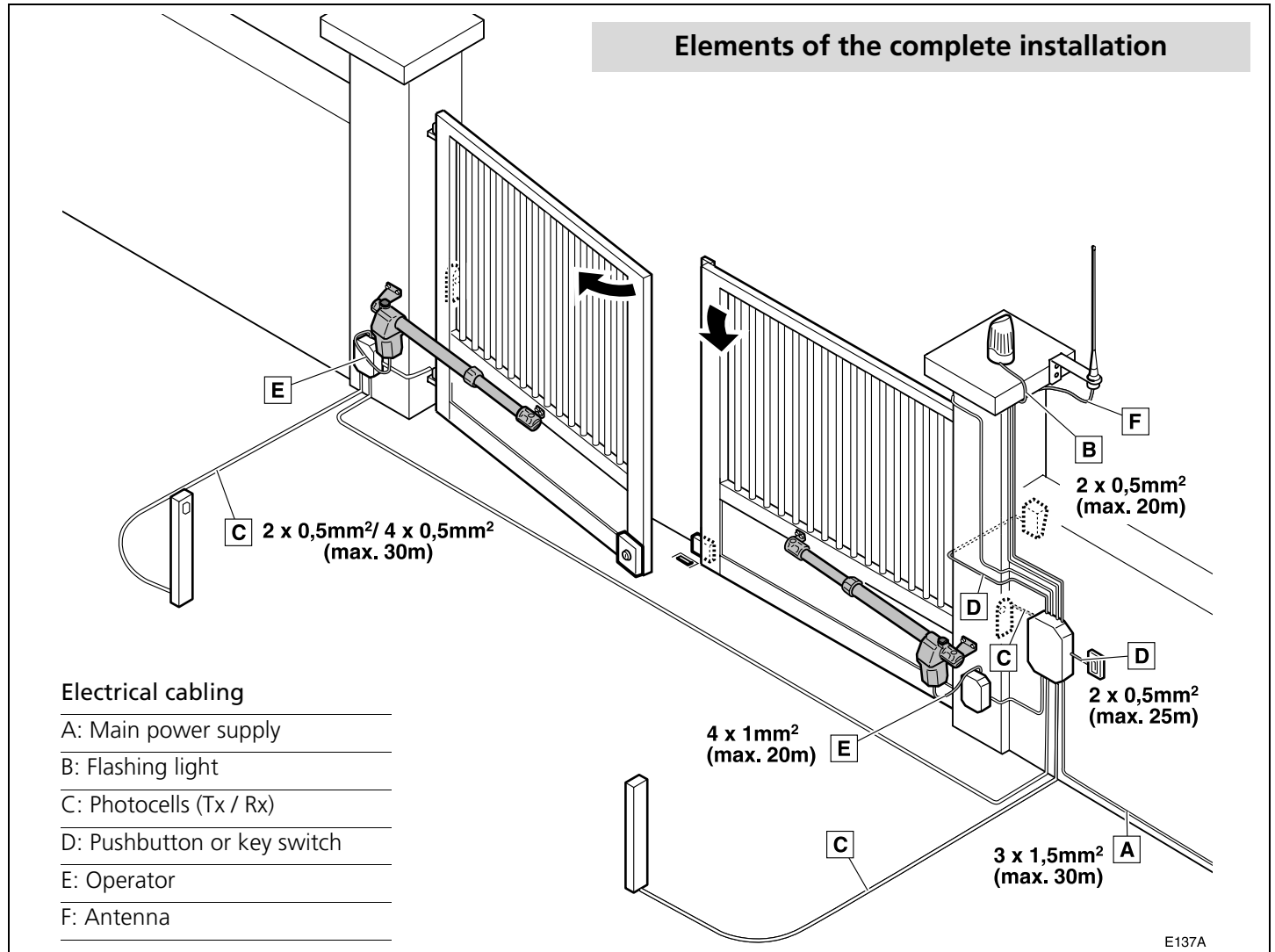


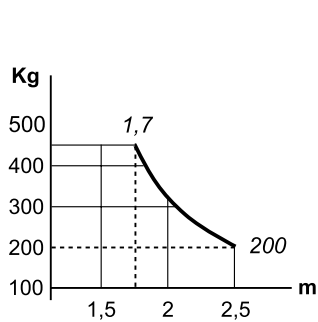
IMPORTANT NOTE

This quick guide is a summary of the complete installation manual. The manual contains safety warnings and other explanations which must be taken into account. The installation manual can be downloaded by going to the "Downloads" section at the Erreka website: <http://www.erreka-automation.com>

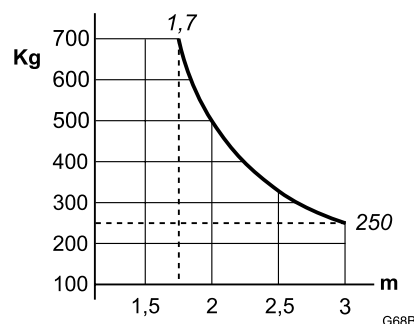


Limits on use

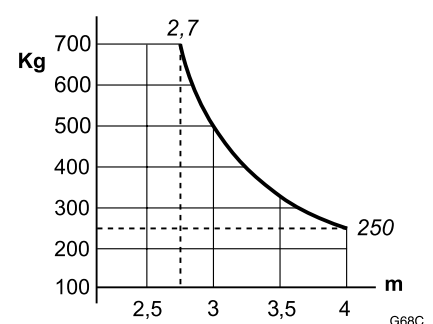
AE33IPL-AE33DPL
AE3324I-AE3324D



BGRBI-BGRBD; BGRBIM-BGRBDM;
BGRRI-BGRRD



BGRBIL-BGRBDL;
BGRRIIL-BGRRDL



☛ We recommend using an electrolock for leaf lengths of over 1.8m.

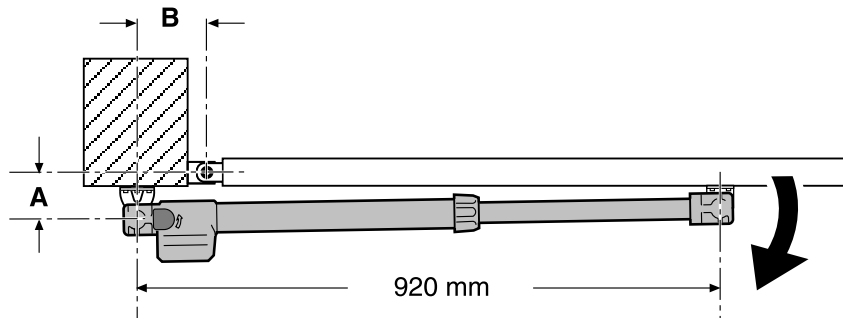
☛ Values for orientation purposes. The form of the leaf and the presence of strong wind may bring notable differences in the values of the chart.

Assembly positions and levels

■ Levels A and B determine the opening angle C.

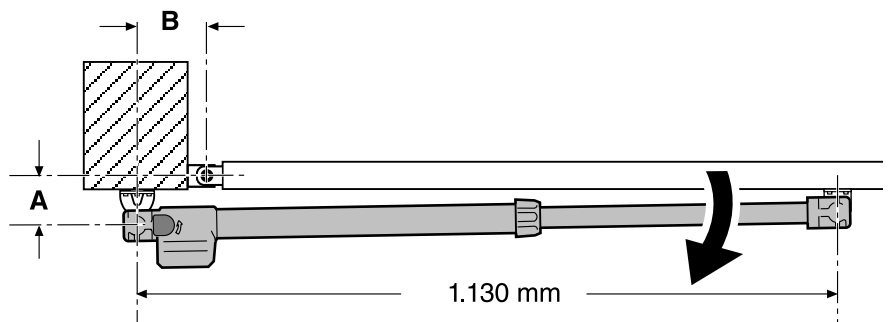
Short operator, inward opening (run: 300 mm)

A (cm)	B (cm)	C (°)
140	140	95
120	160	120



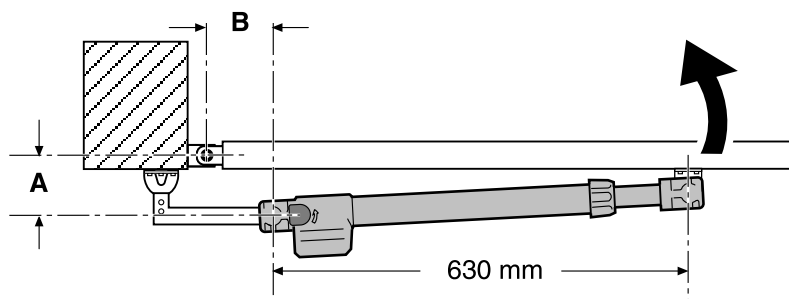
Long operator, inward opening (run: 400 mm)

A (cm)	B (cm)	C (°)
190	190	95
135	185	120



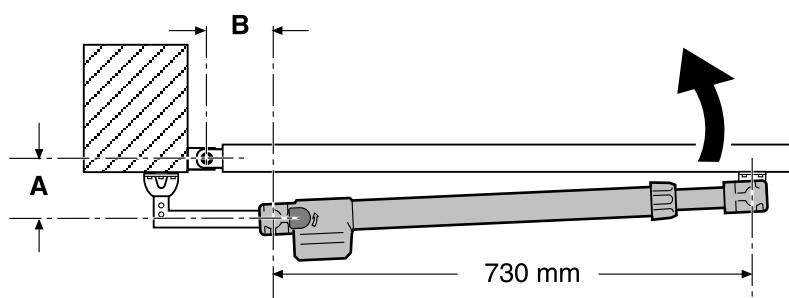
Short operator, outward opening (run: 300 mm)

A (cm)	B (cm)	C (°)
140	140	95
120	160	120



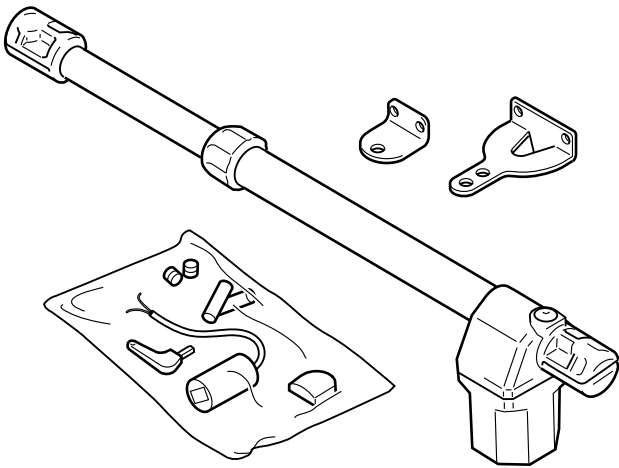
Long operator, outward opening (run: 400 mm)

A (cm)	B (cm)	C (°)
190	190	95
135	185	120



M137A

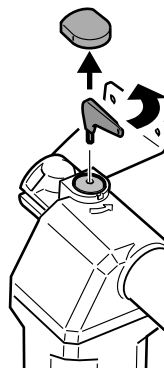
Components supplied



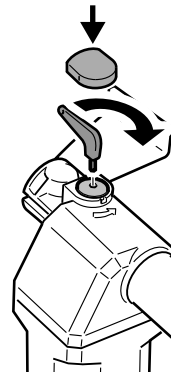
C137B

Manual drive

Unlocking
(manual operation)



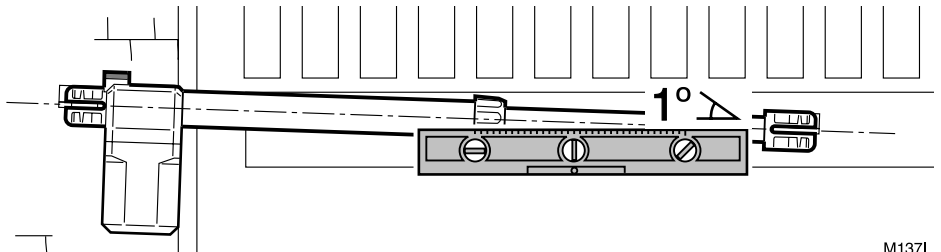
Locking
(motorised operation)



D137A

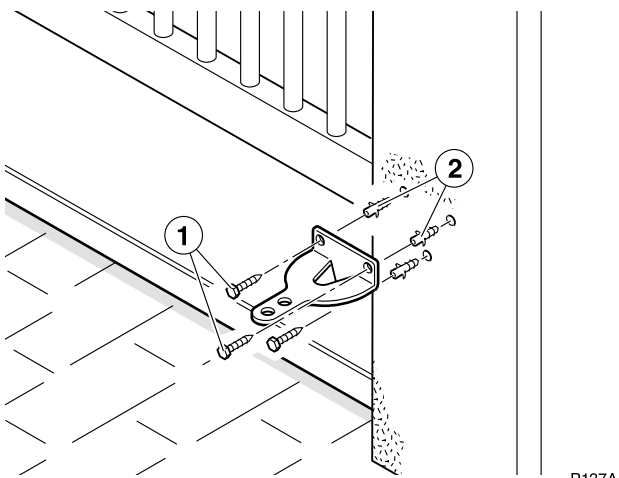
Assembly

The supports should be positioned so as the operator forms an angle of 1° with regards to the horizontal, remaining lower on the gate support side.



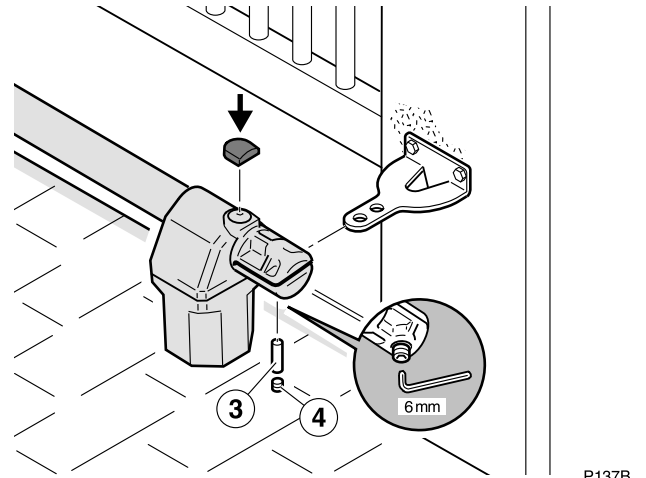
M137I

1 Mount the wall support



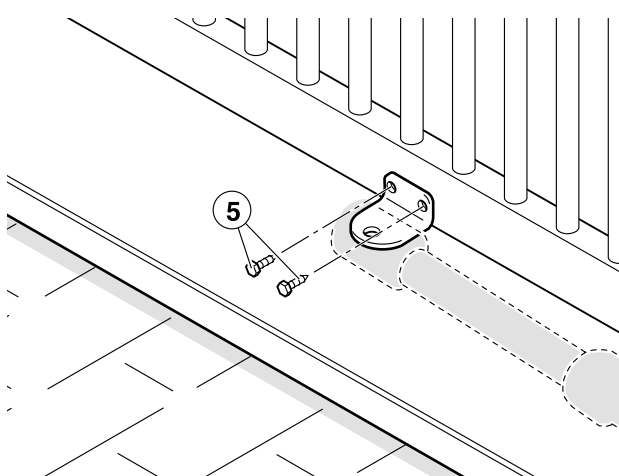
P137A

2 Mount the operator on the wall support



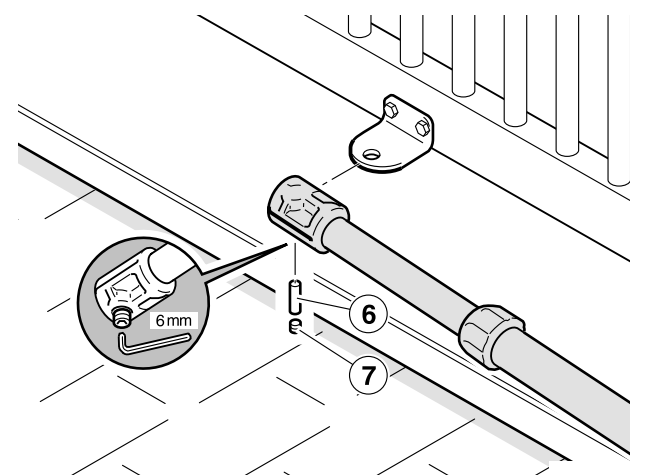
P137B

3 Position the gate support



P137C

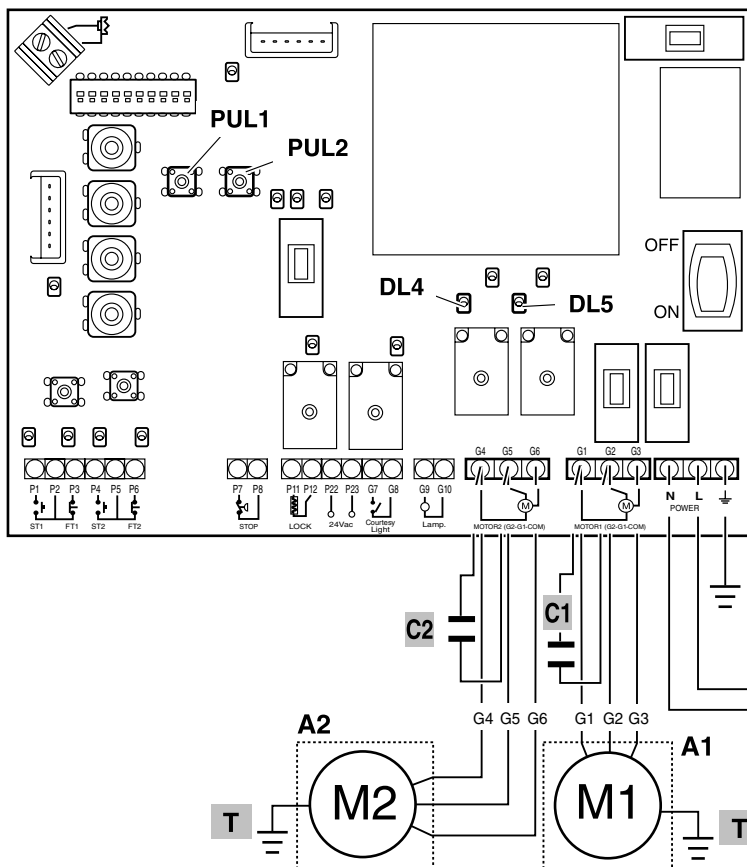
4 Mount the operator on the gate support



P137D

Electrical connections (except AE3324I and AE3324D)

- ☛ We recommend using the **VIVO-M101(M)** switchboard (for single operator installations) and **VIVO-M201(M)** (for twin operator installations).



- A1, A2** Operators
C1, C2 Capacitors
DL4 Gate opening
DL5: Gate closing
PUL1 Close mini-pushbutton
PUL2 Open mini-pushbutton
T Earth connection

Operator connections A1 / A2:

- G1 / G4** Open
G2 / G5 Close
G3 / G6 Common (COM), grey cable

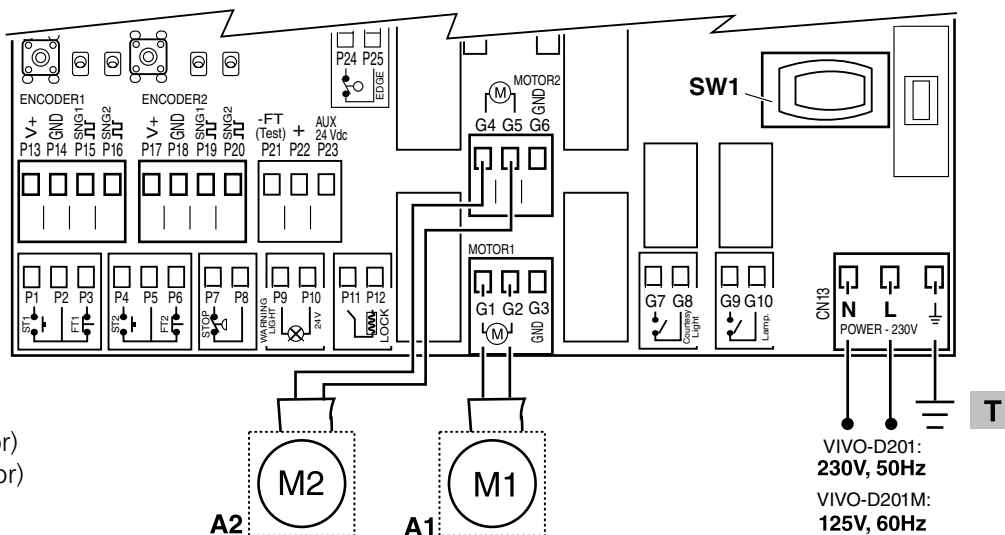
☛ When pressing PUL1, DL5 lights up and the G2/G5 and G3/G6 cable connectors are activated.

☛ When pressing PUL2, DL4 lights up and the G1/G4 and G3/G6 cable connectors are activated.

P169V

Electrical connections (AE3324I and AE3324D)

- ☛ We recommend switchboard **VIVO-D201(M)**.



- A1** Operator 1
A2 Operator 2
G1/G4 Red cable (motor)
G2/G5 Blue cable (motor)
SW1 Main switch

VIVO-D201:
230V, 50Hz
VIVO-D201M:
125V, 60Hz

P144Y2

- Select the number of operators using C0 (C001: one operator, C002: two operators).
- Select the directions using C1 (A1) and C2 (A2).
- Programme C7 for operation without encoder or limit switches (C700).
- For the ARES 24V operator, programme C304 .
- Adjust the thrust in accordance with the weight of the gate (parameter **A6**).

☛ **Turning direction check:** after connecting the power and activating any of the key devices, the gate makes a reset (the display shows r5): the gate closes until it reaches the stopper, assigning this stopper with the position "gate closed". If it opens instead of closes during the reset, change turning direction using C1 (A1) or C2 (A2).