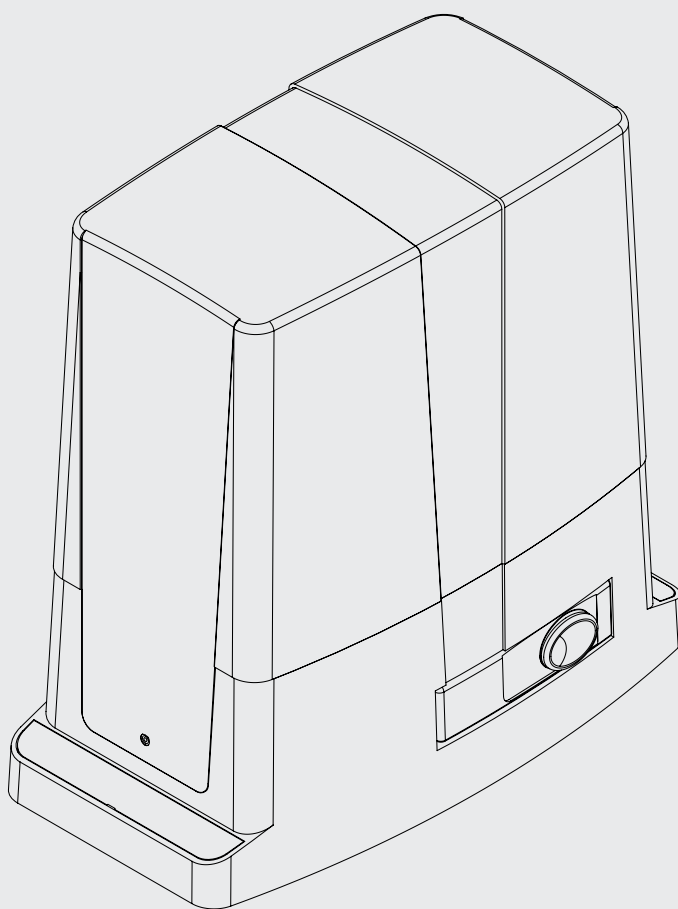


BULL 5M - BULL 5M.S

BULL 8M - BULL 8 M.S

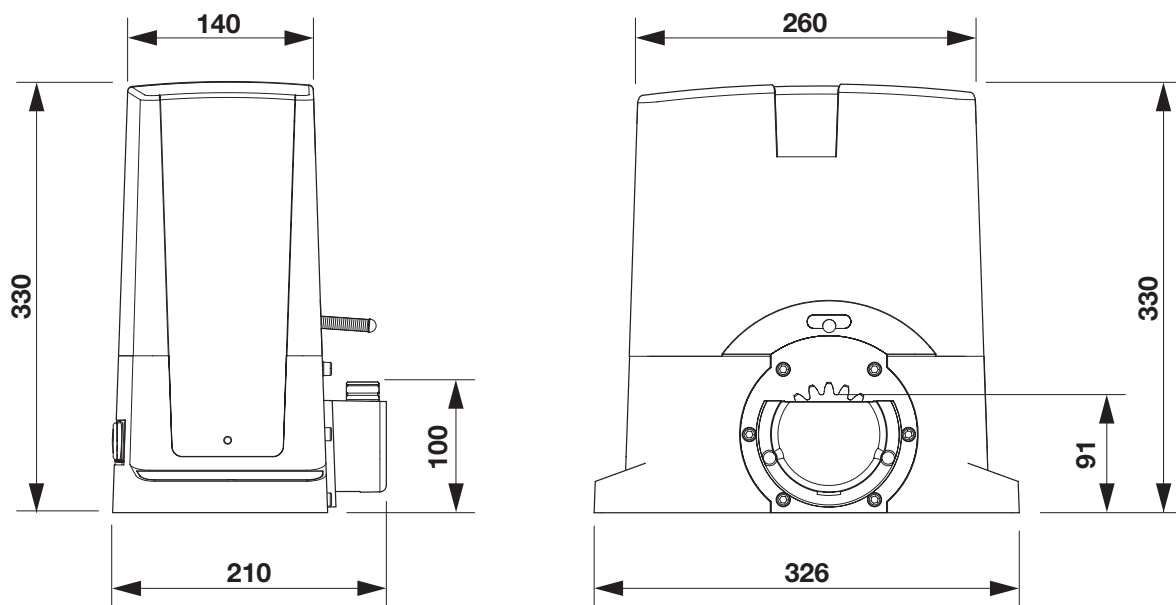
BULL 8 0M - BULL 8 0M.S



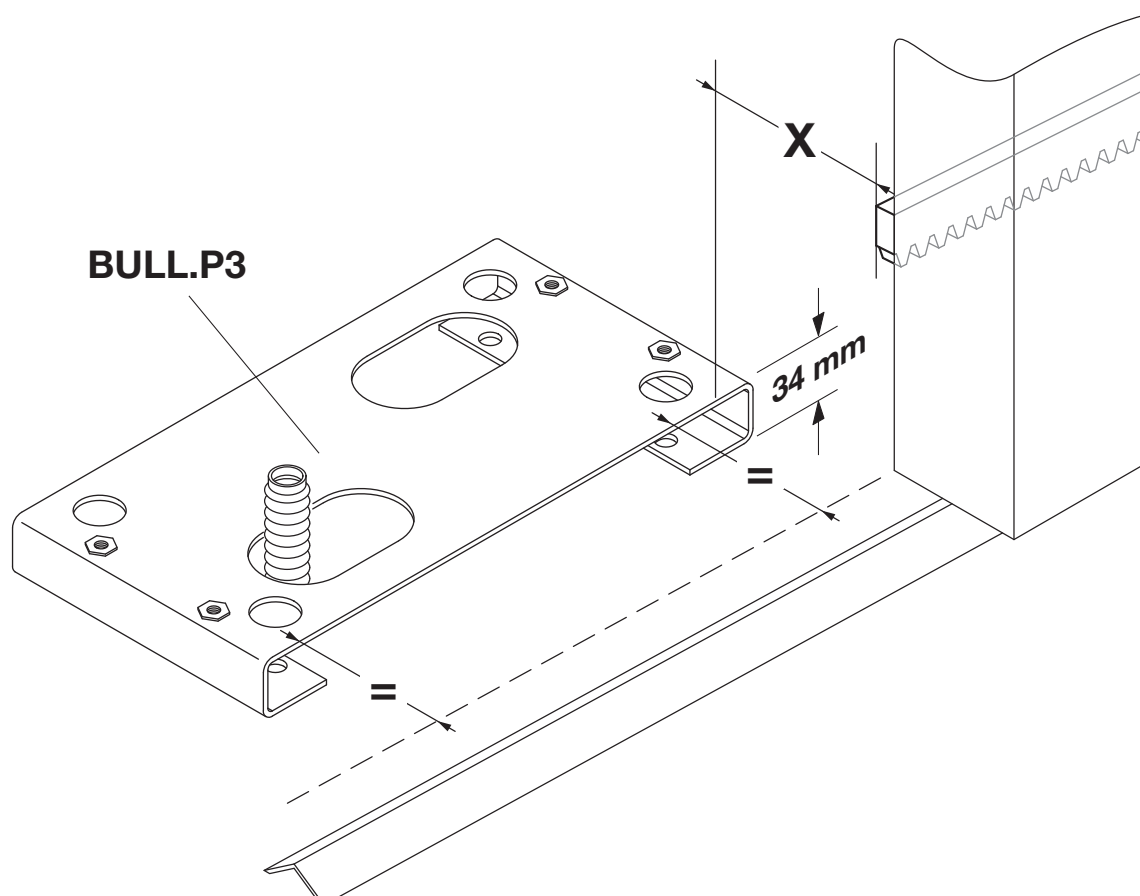
BENINCA[®]
TECHNOLOGY TO OPEN

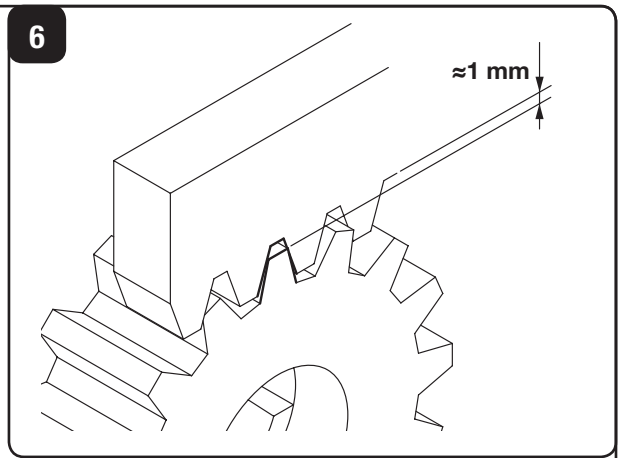
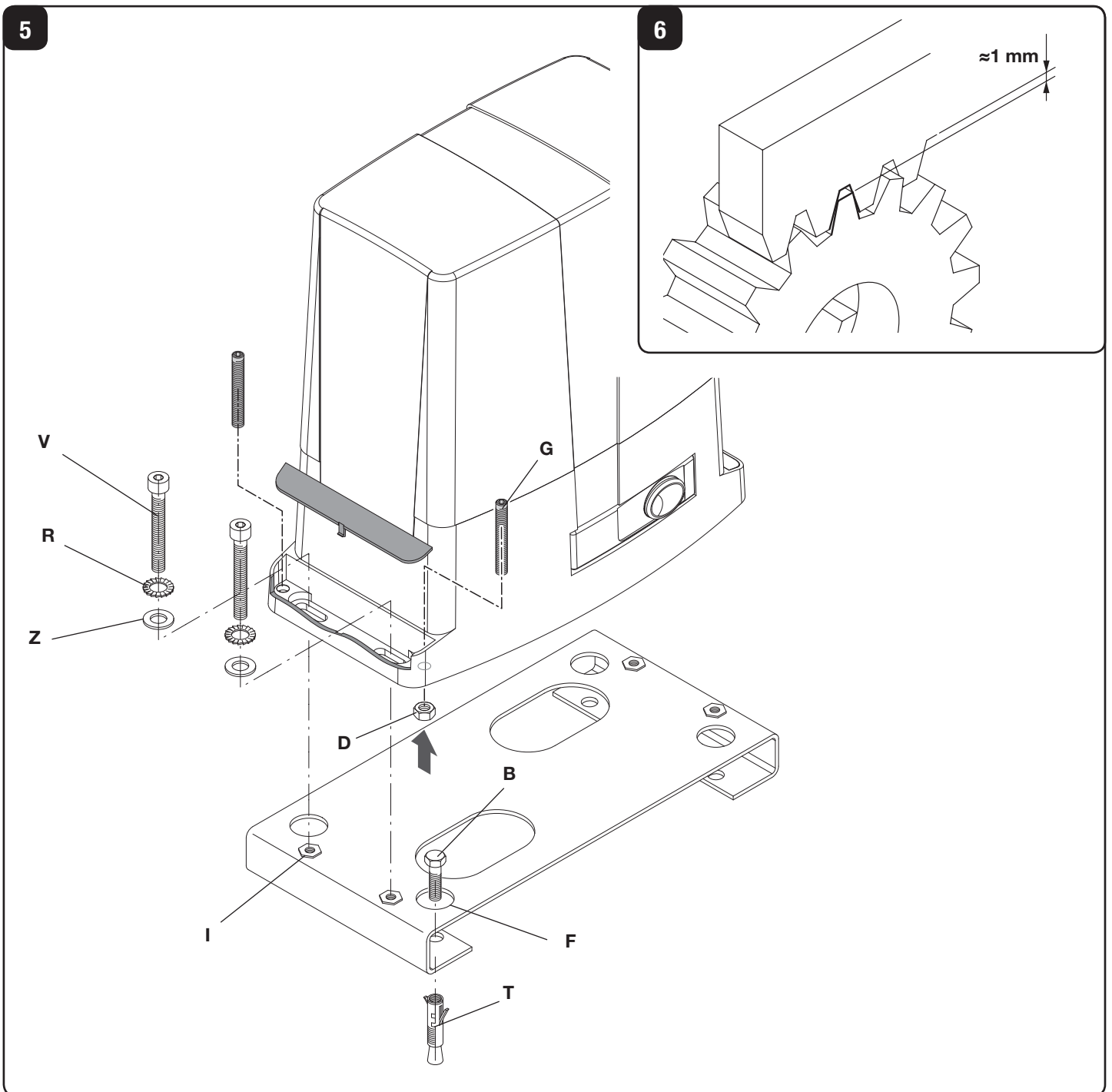
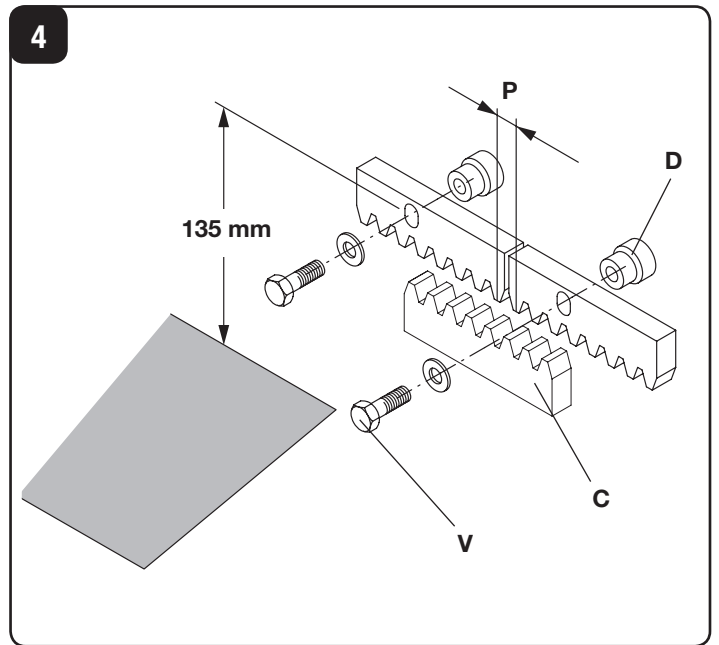
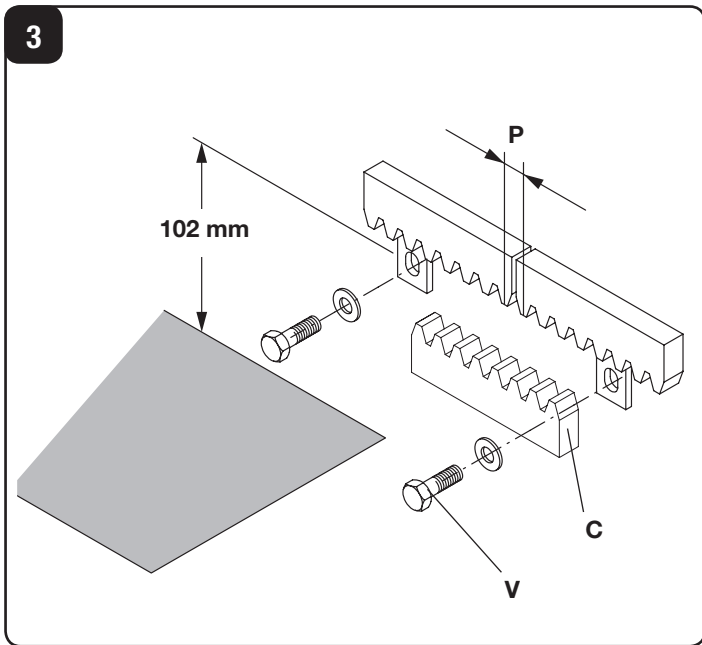


1

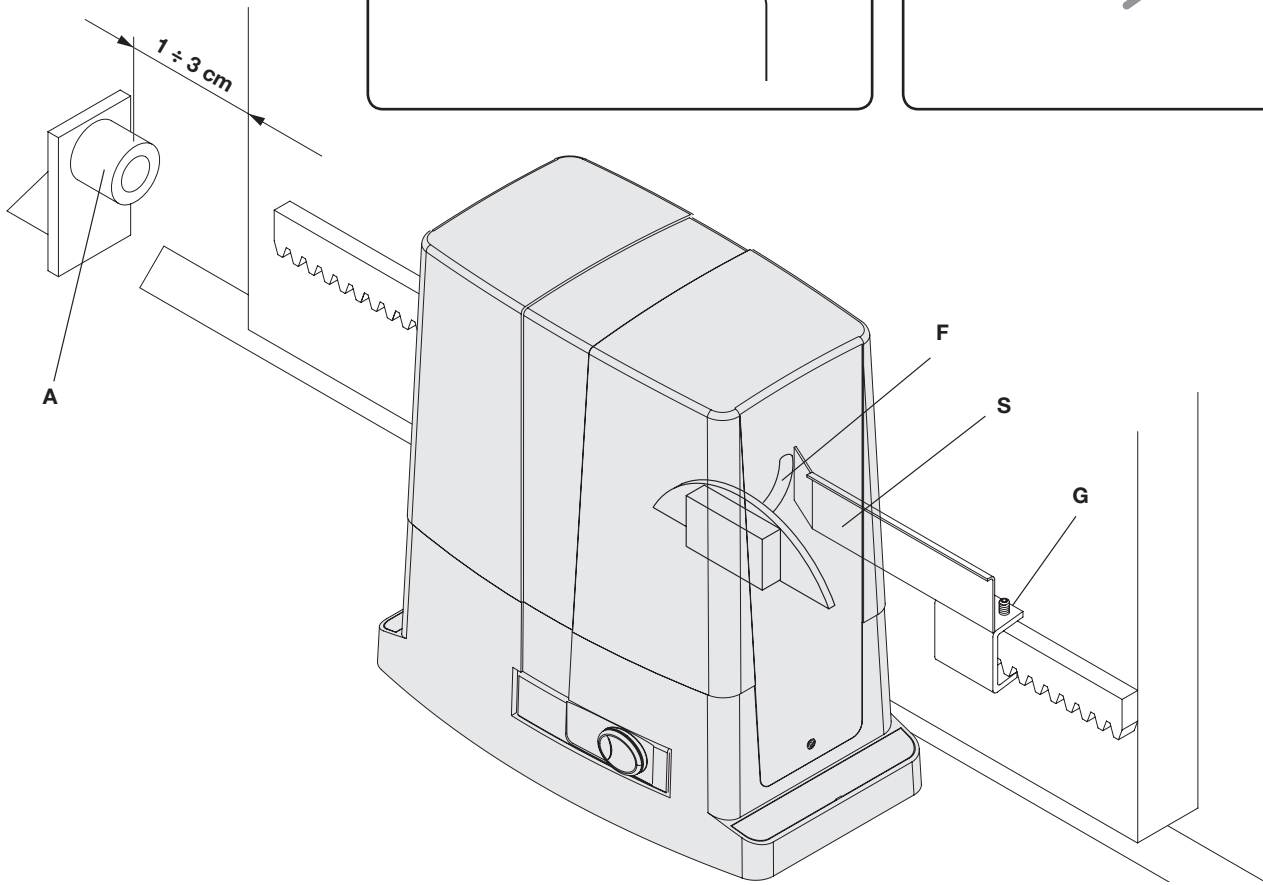
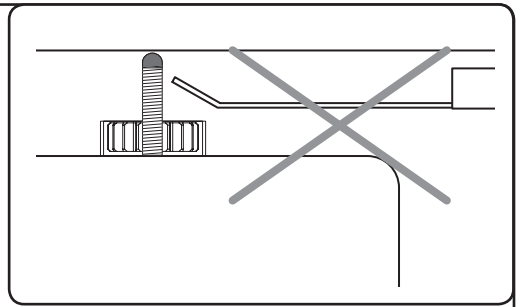
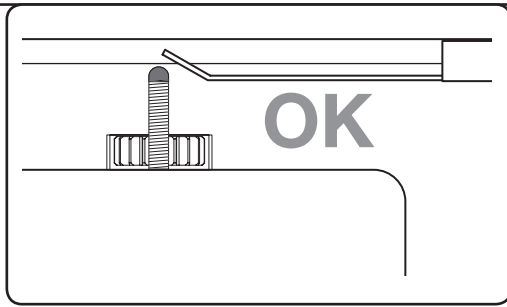


2

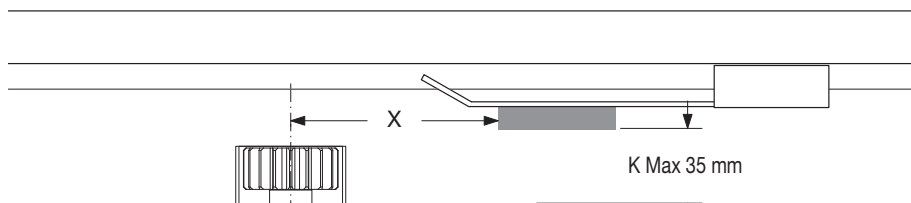
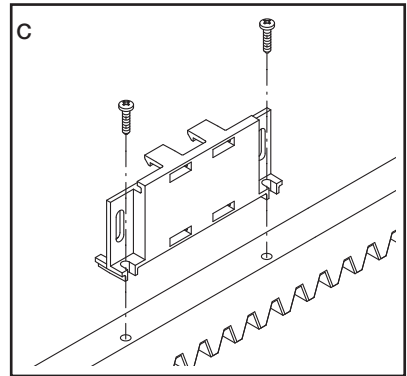
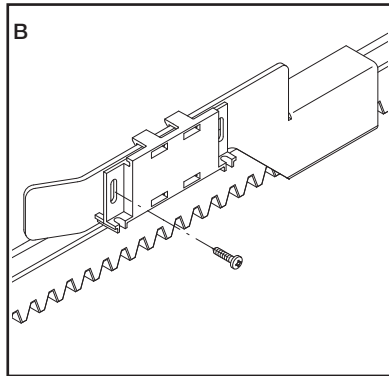
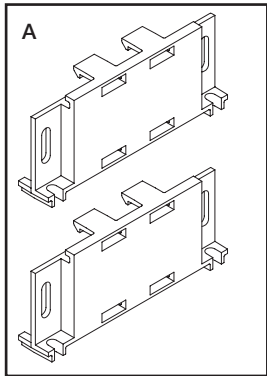




7



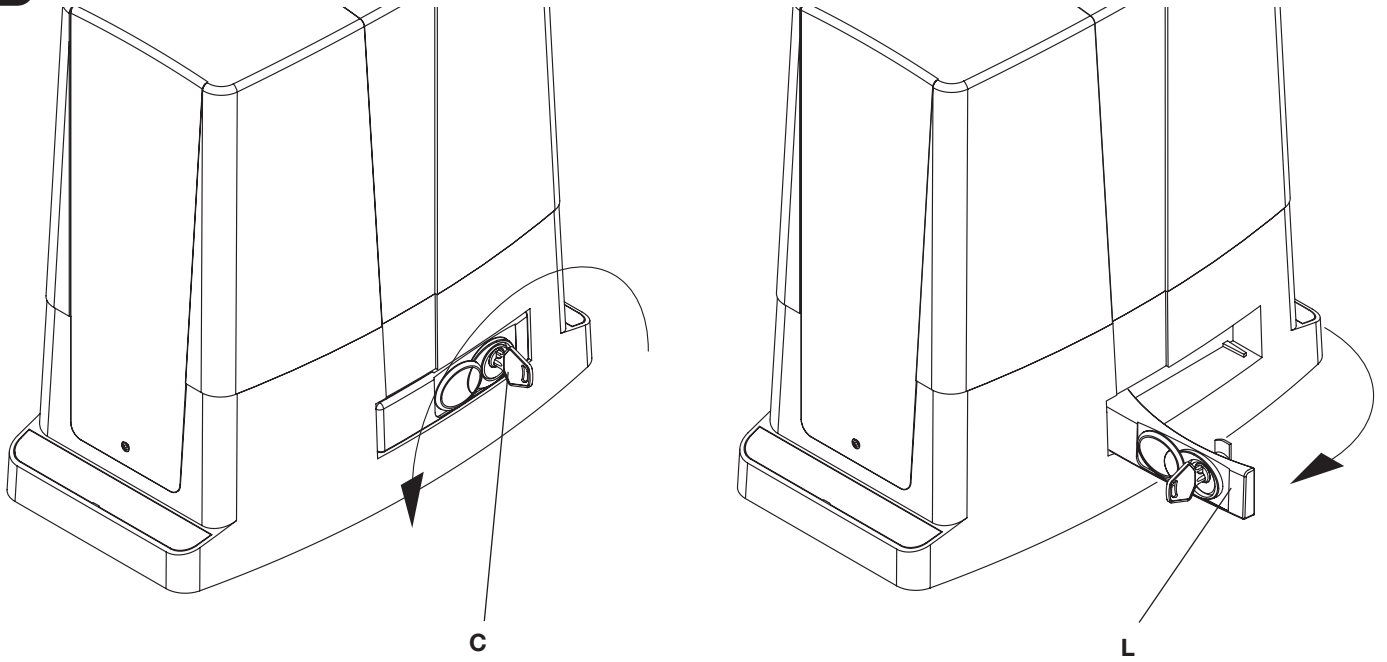
8



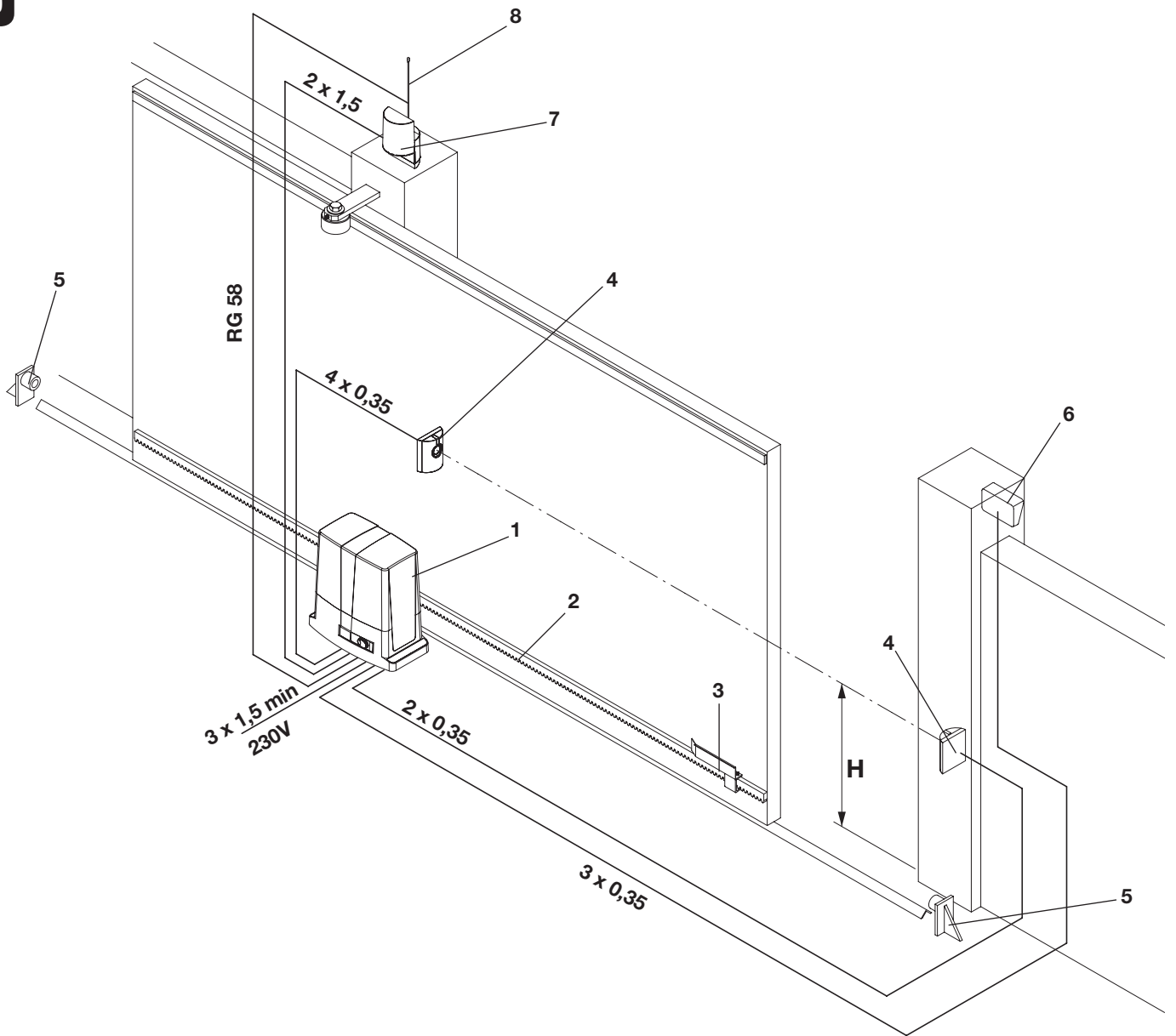
K	X
3 mm	74 mm
35 mm	63 mm

BULL 5M.S
BULL 8M.S
BULL 80M.S

9



10



EC Declaration of Conformity

Directive 2004/108/EC(EMC); 2006/95/EC (LVD)

Manufacturer:

Automatismi Benincà SpA.

Address:

Via Capitello, 45 - 36066 Sandrigo (VI) – Italy

It is hereby stated that the product

automatic system 24Vdc for sliding gates

BULL 5M - BULL 5M.S - BULL 8M - BULL 8M.S - BULL 80M - BULL 80M.S.

is compliant with provisions set forth in the following EC Directives:

- **DIRECTIVE 2004/108/EC OF THE EUROPEAN PARLIAMENT AND OF THE COUNCIL** of 15 December 2004, on the harmonisation of the laws of Member States relating to electromagnetic compatibility and which cancels Directive 89/336/EEC, according to the following harmonised regulations: EN 61000-6-2:2005, EN 61000-6-3:2007.

- **DIRECTIVE 2006/95/EC OF THE EUROPEAN PARLIAMENT AND OF THE COUNCIL** of 12 December 2006, on the harmonisation of the laws of Member States relating to electrical equipment designed for use with certain voltage limits, according to the following harmonised regulations: EN 60335-1:2002 + A1:2004 + A11:2004 + A12:2006 + A2:2006 + A13:2008; EN 60335-2-103:2003.

- **DIRECTIVE 2006/42/EC OF THE EUROPEAN PARLIAMENT AND OF THE COUNCIL** of 17 May 2006, on machinery, which amends Directive 95/16/EC, and complies with the requisites for the “partly completed machinery (almost machinery)” set forth in the EN13241-1:2003 regulation.

• Moreover, **Automatismi Benincà SpA** declares that the pertaining technical documentation has been drawn up in compliance with Attachment VII B of the 2006/42/ EC Directive and that the following requirements have been complied with: 1.1.1 - 1.1.2 - 1.1.3 - 1.1.5 - 1.2.1 - 1.2.3 - 1.2.6 - 1.3.1 - 1.3.2 - 1.3.3 - 1.3.4 - 1.3.7 - 1.3.9 - 1.5.1 - 1.5.2 - 1.5.4 - 1.5.5 - 1.5.6 - 1.5.7 - 1.5.8 - 1.5.10 - 1.5.11 - 1.5.13 - 1.6.1 - 1.6.2 - 1.6.4 - 1.7.2 - 1.7.4 - 1.7.4.1 - 1.7.4.2 - 1.7.4.3.

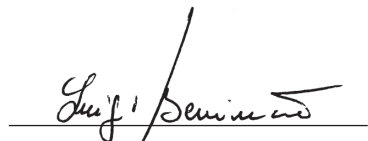
• The manufacturer undertakes that information on the “partly completed machinery” will be sent to domestic authorities. Transmission ways are also included in the undertaking, and the Manufacturer’s intellectual property rights of the “almost machinery” are respected.

• It is highlighted that commissioning of the “partly completed machinery” shall not be provided until the final machinery, in which it should be incorporated, is declared compliant, if applicable, with provisions set forth in the Directive 2006/42/EC on Machinery.

• Moreover, the product, as applicable, is compliant with the following regulations: EN 12445:2002, EN 12453:2002, EN 12978:2003.

Benincà Luigi, Legal Officer.

Sandrigo, 22 November 2010.



WARNING

The product shall not be used for purposes or in ways other than those for which the product is intended for and as described in this manual. Incorrect uses can damage the product and cause injuries and damages.

The company shall not be deemed responsible for the non-compliance with a good manufacture technique of gates as well as for any deformation, which might occur during use.

Keep this manual for further use.

Qualified personnel, in compliance with regulations in force, shall install the system.

Packaging must be kept out of reach of children, as it can be hazardous. For disposal, packaging must be divided the various types of waste (e.g. carton board, polystyrene) in compliance with regulations in force.

The installer must supply all information on the automatic, manual and emergency operation of the automatic system and supply the end user with instructions for use.



An omnipolar switch/section switch with remote contact opening equal to, or higher than 3mm must be provided on the power supply mains.. Make sure that before wiring an adequate differential switch and an overcurrent protection is provided.

Pursuant to safety regulations in force, some types of installation require that the gate connection be earthed.

During installation, maintenance and repair, cut off power supply before accessing to live parts.

Descriptions and figures in this manual are not binding. While leaving the essential characteristics of the product unchanged, the manufacturer reserves the right to modify the same under the technical, design or commercial point of view without necessarily update this manual.

INTRODUCTION

Congratulations on your choice of a BULL gear motor. All items included in Benincà's wide product range stem from twenty year of our experience in the sector of automatic systems, always striving to find new materials and advanced technologies.

For this reason, nowadays we are able to offer you extremely reliable products that, thanks to their power, efficiency and long-lasting features, entirely meet the end user's requirements.

All our products are covered by a guarantee.

Furthermore, an R.C. insurance policy signed with a primary insurance company, covers any injuries or damages caused by manufacturing faults.

GENERAL INFORMATION

This automatic system, with 230Vac single-phase power supply for sliding gates, is available in the following versions:

BULL 5M for gates with maximum weight equal to 500kg

BULL 8M/8OM for gates with maximum weight equal to 800kg

BULL is a monobloc system featuring a refined design and reduced dimensions. The motor and an irreversible reduction system, manufactured with high resistant materials, are housed in an aluminium container. BULL is equipped with spring limit switches. The customised key emergency release allows to open and close the gate in case of power failure.

Anti-crash safety is ensured by an electronic device (encoder and amperometric sensor) which detects any obstacle present.

PRELIMINARY CHECKS

For a good operation of the automatic system for sliding gates, the gate or door shall meet the following features:

- the track and relevant wheels must feature correct sizes and must undergo adequate maintenance (in order to avert excessive friction during the sliding of the gate).
- during operation, the door shall not excessively oscillate.
- a mechanical stopper (according to regulations in force) shall limit the opening and closing movements.

SPECIFICATIONS

	BULL 5M	BULL 8M	BULL 80M
Power supply	230Vac 50Hz		
Current drawn	1,3 A	2,6 A	
Torque	23,5 Nm	34 Nm	
Work jogging	30%		
Protection level	IP44		
Operating temperature	-20°C / +50°C		
Capacitor	12,5 µF	16 µF	
Gate max. weight	500kg	800kg	
Rack module	M4		
Opening speed	10,5 m/min		
Noise	<70 dB		
Lubrication	CASTROL OPTITEMP LP2		AGIP BLASIA 100
Weight	10,6 kg	11,4 kg	14,2 kg

INSTALLATION

FIG.1

Overall dimensions of the gear motor expressed in mm.

FITTING OF THE RACK

FIG.3-4

Rack in nylon (Fig.3).

Position the rack at a height of 102 mm from the centre line of the fixing slot provided on the base on which the foundation plate will be fitted. At that height, drill a hole on the gate and provide for a M6 threading.

Keep to the P tooth pitch, even from a section of rack and another. To this purpose, it could be useful to join another section of rack (Part. C)

Rack in Fe 12x30mm (Fig.4).

Position the spacers D by welding them or fitting them with screws to the gate, at 135 mm height from the centre line of the fixing slot provided on the base on which the foundation plate will be fitted. Fix the rack.

Keep to the P tooth pitch, for all sections of the rack. To this purpose, it could be useful to connect another section of rack (Part. C)

Then fix the rack with V screws, taking care, once the actuator is installed, that 1-mm backlash is left between the rack and the tow wheel (see Fig.6). To this purpose, use the slots on the rack.

POSITIONING OF THE FOUNDATION PLATE

FIG. 5-6

It is very important to keep to dimension X shown in Fig.2. This value depends on the type of rack used:

X = 11 mm for rack in nylon

X = 13 mm for rack in iron, 12x30mm

Preset a corrugated tube (Fig.2 -A) for the passage of power supply cables and connection wires for the accessories.

Check that, at the end of the fitting, the foundation plate is perfectly parallel with respect to the wing.

Fitting with screw anchors on cement base)

Through 4 "T" screw anchors in steel (not supplied), firmly anchor the foundation plate to ground by means of 4 bolts "B" (not supplied). Use the foundation plate as drilling template.

To facilitate the fitting of bolts, 4 holes are provided on the plate (ref. F).

Fix the geared motor to the plate by means of the 4 screws V (M10x70), with the relevant plain washers R and knurled washers, as indicated in the figure.

Installation with cement

In this case, after providing for an adequate foundation hole, pour cement on the plate, taking care of the plate level. Check that the threaded inserts (I) for the fitting screws are clean and cement free.

Wait for the hardening of the cement.

Fix the geared motor to the plate by means of the 4 screws V (M10x70), with the relevant plain washers R and knurled washers, as indicated in the figure.

Height adjustment of the geared motor

The height of the geared motor (10mm max) can be adjusted in height, with respect to the foundation base, by 4 dowels G.

In this case, BEFORE fitting the geared motor to the plate, apply the 4 adjustment dowels G, by inserting the 4 nuts D in the special housings located at the bottom of the geared motor.

Then adjust the 4 dowels by lifting the geared motor at the

desired height. Fix the motor by firmly tighten the 4 screws V4 (M10x70) and related flat washers R and knurled washers Z, as shown in the figure.

POSITIONING OF THE LIMIT SWITCH BRACKETS

FIG.7

Manually open the gate and leave a clearance from 1 to 3cm according to the weight of the gate between the main door and the mechanical stopper A. Fix the bracket to the limit switch S by using the grains G, so that the limit switch microswitch F is pressed. The same operation should be repeated with gate in the closing phase.

N.B.: The limit switch bracket should be positioned so that the gate can be stopped without hitting the mechanical stopper.

HOW TO INSTALL THE MAGNETS (BULL 5M.S - BULL 8M.S - BULL 80M.S)

FIG.8

The magnets are housed in special supports (fig.8-"A"). These magnets are to be fitted to the limit switch brackets or the rack and cause the triggering of sensors when they approach them.

Fitting onto the limit switch brackets

The bases are complete with hooking tongue allowing the fitting of the magnets to the limit switch bracket supplied with the operator, as shown in Fig.8-B.

This type of fitting allows to rapidly adjust the position of magnets. After calculating the correct distance, fix the support in the correct position by means of a screw, so as to avert the moving of the bracket.

Fitting onto the rack

As an alternative, the supports can be fitted directly to the rack, by using the slots shown in Fig. 8-C. This fitting mode does not allow for subsequent regulations. It is therefore advised to make some trials with temporarily fitted supports before carrying out the final fitting.

IMPORTANT: The correct distance of the magnet with respect to the sensor depends on the installation characteristics. This space cannot be preset and must be adjusted on a trial basis.

The distances regarding the triggering of the sensor (value X) with respect to distance K of 3 and 35 mm, which are shown in Fig. 8 are only indicative.

In any case, distance K must not exceed 35 mm as a higher distance will not allow the triggering of the magnetic sensor.

MANUAL OPERATION

FIG.9

Should a power failure or malfunction occurs, to manually operate the gate proceed as follows:

- After inserting the customised key C, turn it anti-clockwise and pull the lever L.
- The gear motor is unlocked and the gate can be moved by hand.
- To return to the normal operating mode, close the lever L again and manually activate the gate until it is geared.

WIRE DIAGRAM

FIG.10

For the wire connections of the system and to adjust the operating modes, please refer to the Instruction Manual of the control unit.

In particular, the anti-crash device (encoder) should be adjusted according to regulations in force.

Please remember that the device should be earthed by means of the appropriate terminal.

Fig.10 shows wiring for a standard installation. Before proceeding to wiring, check that the type of cables used is consistent with those required for accessories.

Dimension H stands for the installation height of photocells. A clearance between 40 and 60 cm is advisable.

Key of components:

- 1 Gear motor with incorporated BULL control unit
- 2 M4 rack, Nylon/Fe
- 3 Limit switch brackets
- 4 Photocells
- 5 Mechanical stoppers
- 6 Key selector or digital keyboard
- 7 Flashing light
- 8 Antenna

WARNING

The RC product insurance policy, which covers any injuries or damages to objects caused by manufacturing defects, requires the use of Benincà's original accessories.

SAFETY MEASURES

- Do not stand within the gate movement area.
- Children must not play with controls and near the gate.
- In the event of malfunctions, do not attempt to repair the failure but contact the specialised personnel.

MANUAL AND EMERGENCY MANOEUVRE

In the event of power failure or malfunction, to manually operate the gate proceed as follows:

- After inserting the customized key C, turn it anti-clockwise and pull the lever L.
- The geared motor is unlocked and the gate can be moved by hand.
- To return to the normal operating mode, close the lever L again and manually activate the gate until it is geared.

MAINTENANCE

- Every month check the good operation of the emergency manual release.
- It is mandatory not to carry out extraordinary maintenance or repairs as accidents may be caused. These operations must be carried out by qualified personnel only.
- The operator is maintenance free but it is necessary to check periodically if the safety devices and the other components of the automation system work properly. Wear and tear of some components could cause dangers.

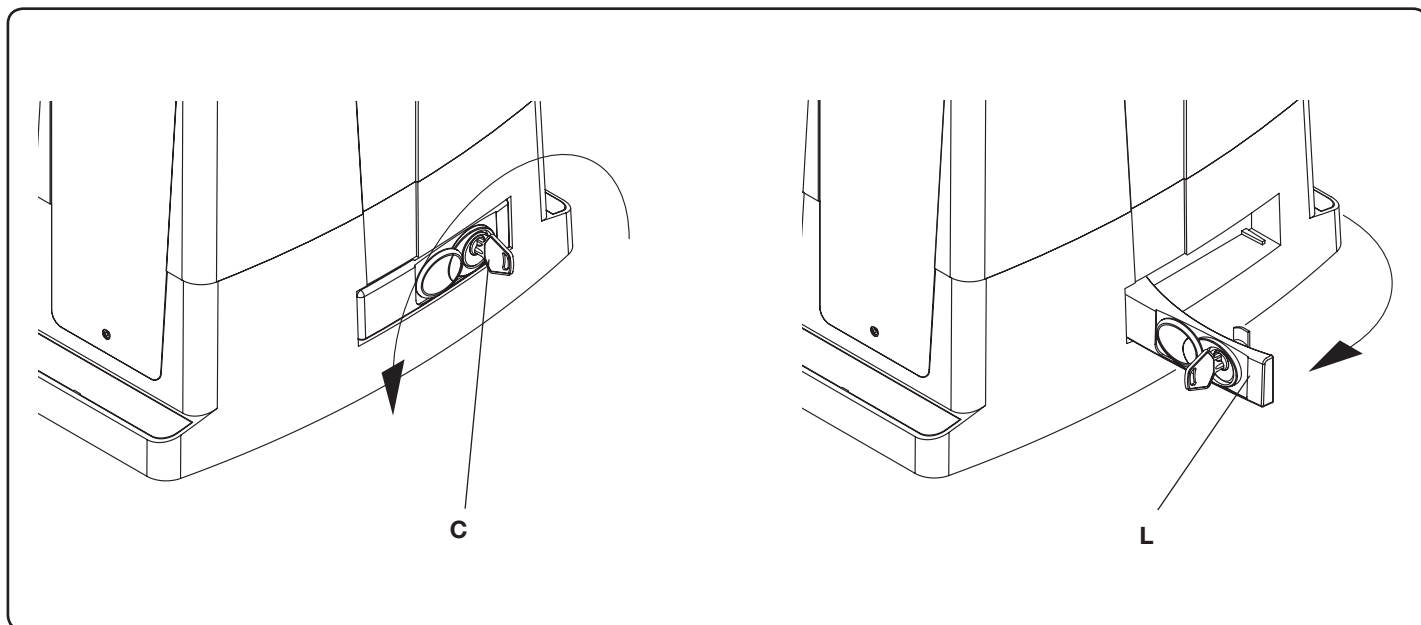
WASTE DISPOSAL

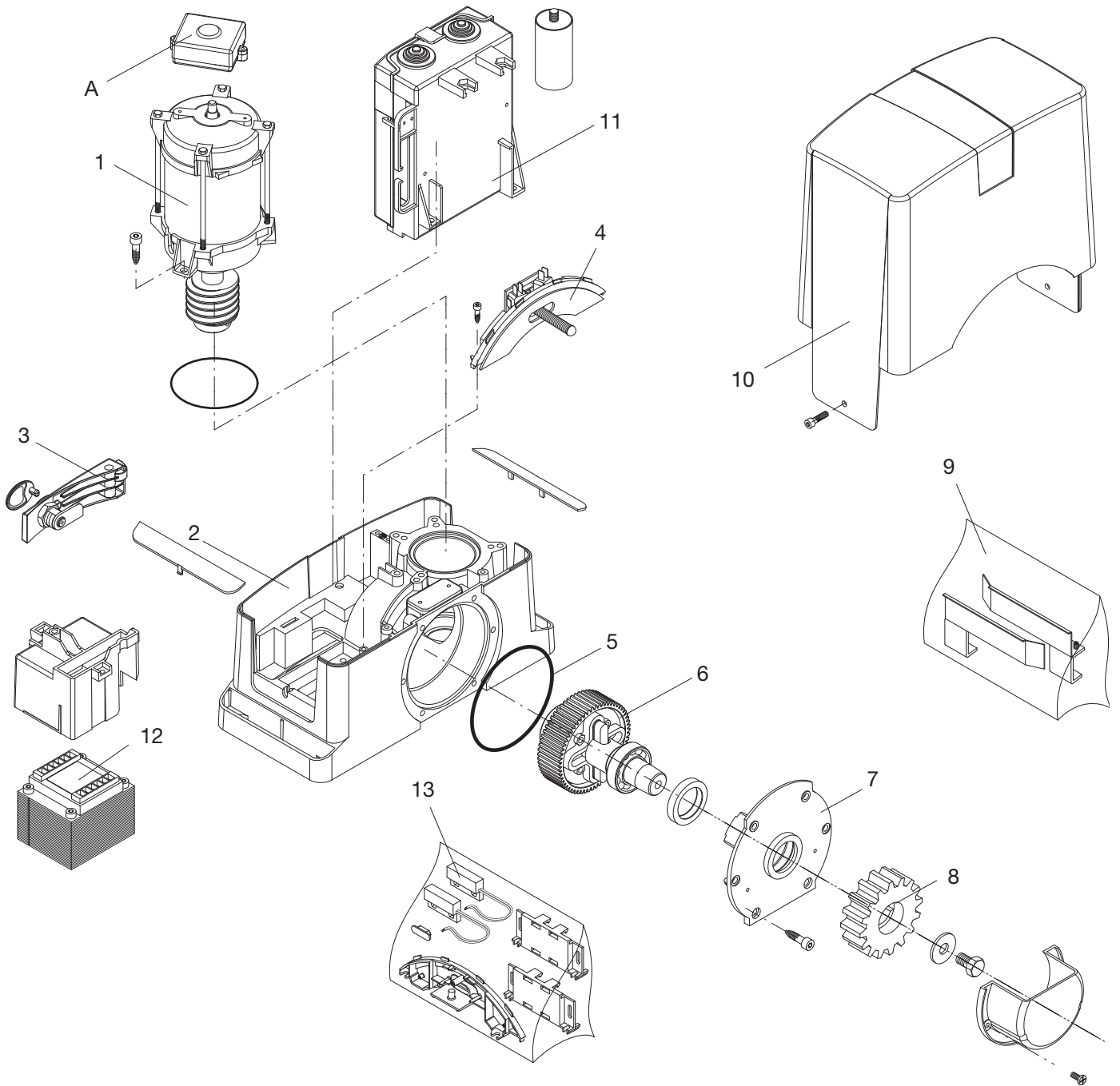


As indicated by the symbol shown, it is forbidden to dispose this product as normal urban waste as some parts might be harmful for environment and human health, if they are disposed of incorrectly. Therefore, the device should be disposed in special collection platforms or given back to the reseller if a new and similar device is purchased. An incorrect disposal of the device will result in fines applied to the user, as provided for by regulations in force.

WARNING

All Benincá products are covered by insurance policy for any possible damages to objects and persons caused by construction faults under condition that the entire system be marked CE and only Benincá parts be used.





Ref.	BULL 5M Code	Note
A	9760021	MAG.E
1	9686702	
2	9686770	
3	9686328	
4	9686329	
5	9686421	
6	9686703	
7	9686426	
8	9686032	
9	9686757	
10	9686427	
11	9686704	
12	---	
13	9688102	BULL __.S

Ref.	BULL 8M Code	Note
A	9760021	MAG.E
1	9686510	
2	9686770	
3	9686328	
4	9686329	
5	9686421	
6	9686703	
7	9686424	
8	9686032	
9	9686757	
10	9686427	
11	9686829	
12	9686449	
13	9688102	BULL __.S

Ref.	BULL 80M Code	Note
A	9760021	MAG.E
1	9686510	
2	9686770	
3	9686328	
4	9686329	
5	9686421	
6	9686511	
7	9686424	
8	9686032	
9	9686757	
10	9686427	
11	9686829	
12	9686449	
13	9688102	BULL __.S

BENINCA[®]

AUTOMATISMI BENINCÀ SpA - Via Capitello, 45 - 36066 Sandrigo (VI) - Tel. 0444 751030 r.a. - Fax 0444 759728
